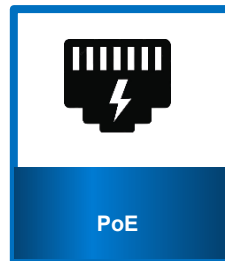
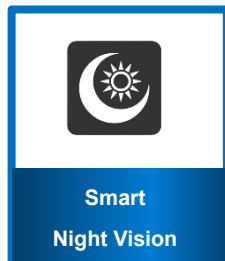
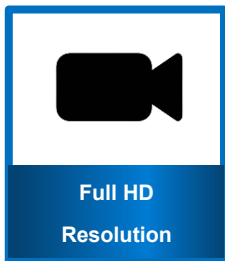


2MP Network Camera Fixed Lens Dome



Product Description

The DeWalden DW-ND2A45FCL1 is a high-performance 2MP waterproof turret network camera designed for reliable surveillance in both indoor and outdoor environments. With advanced video compression (H.265+/H.265/H.264+/H.264/MJPEG), smart illumination technology, and AI-powered detection functions, this camera ensures clear, efficient, and intelligent monitoring. Its rugged IP67 design, dual power supply options (DC12V/PoE), and support for multiple video analytics make it an ideal choice for commercial, industrial, and residential security applications.

Functions & Features

- 2MP Full HD Resolution (1920×1080)
- Dual Illumination: Smart IR (20–30m) & White Light (10–20m)
- H.265+/H.264+ Compression for optimized bandwidth & storage
- True Day/Night with ICR Filter
- Digital WDR, 3D DNR, BLC, HLC for enhanced image quality
- Smart Motion Detection (Human/Vehicle filtering)
- AI Functions: Region Intrusion & Line Crossing Detection
- Built-in Microphone for audio monitoring
- IP67 Ingress Protection for harsh environments
- Multiple Power Options: DC12V / PoE (IEEE802.3af)
- Remote Monitoring via Web, NVR, VMS, or Mobile App (iOS/Android)

Specifications

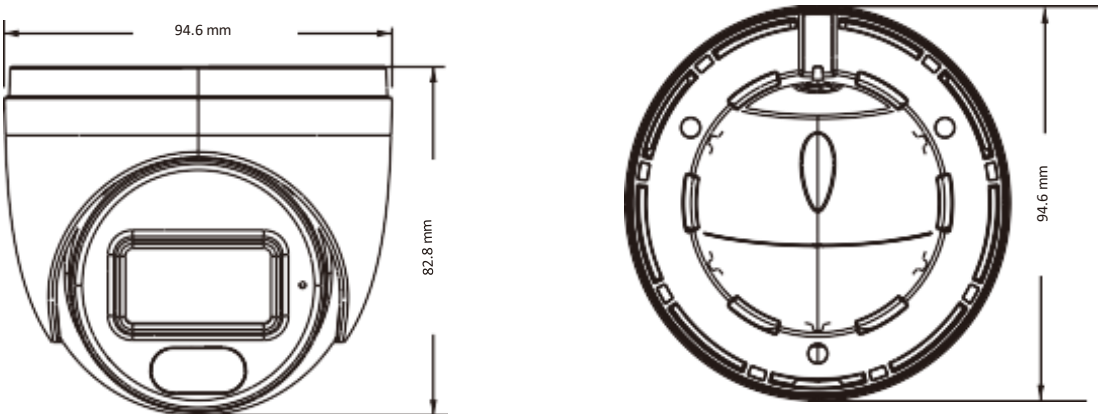
Camera	
Image Sensor	1 / 3 "CMOS
Image Size	1920×1080
Electronic Shutter	1 / 3s ~ 1 / 100000s
Iris Type	Fixed Iris
Min. Illumination	0.02 lux @F2.2, AGC ON; 0 lux (Illumination on)
Lens	2.8mm@F2.2, Horizontal FoV: 95°;Vertical FoV:55°;Diagonal FoV:109° 3.6mm@F2.2, Horizontal FoV:75°;Vertical FoV:41°;Diagonal FoV:86° □
Focus	Fixed
Lens Mount	M12
Day & Night	Auto ICR
Wide Dynamic Range	Digital WDR
BLC	Yes
HLC	Yes
Digital NR	Yes
S/N Ratio	≥50dB
Angle Adjustment	Pan: 0°~360°; Tilt:0°~75°;Rotation: 0°~360°
DORI Distance	
2.8mm Lens	Detect: 41m(133ft) / Observe: 17m(55ft) / Recognize: 8m(26ft) / Identify: 4m(13ft)
3.6mm Lens	Detect: 58m(190ft) / Observe: 23m(75ft) / Recognize: 12m(39ft) / Identify: 6m(19ft)
Image	
Video Compression	Main stream: H.265+ / H.265 / H.264 + /

	H.264 Sub stream: H.265+ / H.265 / H.264 + / H.264 / MJPEG
H.265 Compression Standard	Main Profile@Level4.1 High Tier
Resolution	1080P (1920×1080), 720P(1280×720), D1, VGA(640×480), 480×240, CIF
Main Stream	1080P/720P(60Hz: 1~30fps; 50Hz: 1~25fps)
Sub Stream	D1/VGA/480× 240/CIF (60Hz: 1~30fps; 50Hz: 1~25fps)
Bit Rate	64 Kbps ~ 3 Mbps
Bit Rate Type	VBR / CBR
Audio Compression	G711A/U
Image Settings	ROI, Saturation, Brightness, Hue, Contrast, Wide Dynamic, Sharpness, Image Mirror, Image Flip, NR, etc. adjustable through client software or web browser
ROI	Each ROI to be configured separately
Interfaces	
Network	RJ45
Video Output	No
Audio	1CH built-in MIC
Storage	No
Reset Button	No
Functions	
Remote Monitoring	Web browser/NVR/VMS/Mobile APP
Web Browser	IE 11 (plug-in required)/Chrome 89.0+/Edge

	89.0+/Firefox 87.0+/Safari 14.0+
Online Connection	Support simultaneous monitoring for up to 3 users; Support multi-stream real time transmission
Network Protocol	UDP, IPv4, IPv6, DHCP, NTP, RTSP, 802.1x, HTTP
Interface Protocol	ONVIF
Storage	Network remote storage
Motion Detection	Support smart motion detection; filtering motion alarm triggered by other target types except humans.
Smart Event	(Human) region intrusion detection, (human)line crossing detection
General Function	Watermark, video mask, heartbeat
Security	Video encryption, firmware encryption, configuration encryption, illegal login lock, IP address filtering, 802.1x authentication, basic and digest authentication for HTTP

PoE	Yes, IEEE802.3af
Supplement Light Range	IR range: 20 ~ 30 m; white light range:10 ~ 20 m
Physical Specifications	
Dimensions (mm)	Ø 94.6 × 82.8
Weight (net)	Approx. 0.42KG
Installation	Ceiling mounting; Wall mounting
Power & Environmental	
Power Supply	DC12V/PoE
Power Consumption	< 5W
Operating Environment	- 30 °C ~ 60 °C (-22°F~140°F), Humidity: less than 95 % (non-condensing)
Storage Environment	- 30 °C ~ 65°C (-22°F~149°F), Humidity: less than 95 % (non-condensing)
Ingress Protection	IP67
Compliance & Certification	
Certifications & Conformity Approvals	Complies with NDAA, CE, FCC, RoHS

Dimensions



About Us

Global Reach

While headquartered in Arizona, DeWalden operates through a strong partner network in the USA Europe, the Middle East, and Asia, offering global support with localized expertise.



Headquarters

- 📍 DeWalden Technology LLC
4539 N 22ND ST STE N,
Phoenix, Arizona 85016 USA
- ☎ Phone: +1 69 6787 7345
- ✉ Email: info@dewaldengroup.com
- 🌐 Website: www.dewaldengroup.com

Core Values

- Precision Engineering – Designed & manufactured with USA quality and mechanical accuracy.
- Innovation First – Integrating the latest in servo motor tech, AI-based access, and smart integrations.
- Sustainability – Focused on durable materials, efficient power usage, and environmentally friendly designs.
- Customer-Centric – Providing customized solutions, prompt support, and long-term reliability.



Product Line

Pedestrian Access Control

Speed Barriers, Turnstiles, Swing Gates, Flap Barriers etc.

Integrated Biometric and RFID Terminals

For Employees Attendance & Access Control

Vehicle Parking Access Control

Boom Barriers, Bollards, Road Blockers, Tyre Killers etc.

Walk Through Metal Detectors and X-Ray Screening

For Pedestrians and Vehicles

Network Video Surveillance

Cameras & Recorders

Digital Cameras for Law Enforcement

Body Wearable and Mobile Vehicle Cameras & Recorders

Visitor Access Control Video Intercoms

Digital Villa VDP & Network IP VDP for Residential Towers

GPS Tracking & Guard Patrol Monitoring Systems

Standalone Monitoring System with Real-time Reporting

Home Intrusion Alarm Wireless Panels & Sensors

GSM & Wi-Fi Based IoT Devices with App. Management

Audio / Video Conferencing & PA Systems

4K Video & Voice Alarm with Multi-Operation Management

